

Liquidtight Flexible Non-Metallic Conduit & Fittings

T&B Catalog Number:

LT20E-NEW

UPC Number:

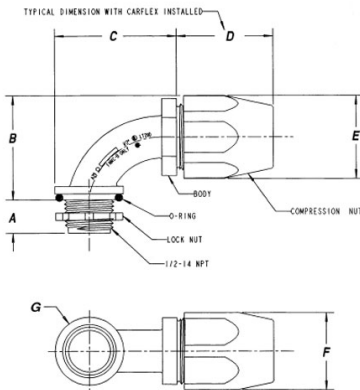
03448108786

Status:

Active

Description:

3/4 inch 90 degree liquidtight non-metallic fitting.



Features

- Non-conductive and non-corrosive.
- Resistant to oil, acid, ozone and alkaline.
- Easy to install.
- Approved for indoor and outdoor locations
- UL listed for wet locations
- Nitrile rubber 'O' ring for a liquidtight termination.
- Temperatures up to 225 degree F (107 degree C)
- Meets UL standard 514B.

Application

For use with Carflex conduit and Carflex X-Flex conduit.

General

Trade Size (inches)	3/4
Material	Non-Metallic

Dimension Information

Size (inches)	3/4
Degree of Bend	90
A (inches)	0.56
B (inches)	2.04
C (inches)	2.35
D (inches)	1.88
E (inches)	1.71
F (inches)	1.61
G (inches)	1.5

Packaging

T&B Order Multiple	50
Package in Units	50
T&B Sold in UOM	Each
T&B Weight Per UOM	13 lbs. per 100

Application Support

T&B Sales Drawings	wsd-ac01708
Product Overview-Carflex Liquidtight Flex-Available on Website	
ible Tubing	

Certifications

RoHS Compliance	Yes
-----------------	-----

Certifications



File Nbr:
E 32447

For further technical assistance, please contact us...

Thomas & Betts - USA
8155 T&B Blvd.
Memphis, TN 38125
www.tnb.com

T&B Technical Support
MS 3B-50
8155 T&B Blvd.
Memphis, TN 38125

Hours: 7AM - 6PM CDT
Monday-Friday
Phone: (888) 862-3289
Fax: (901) 252-1321
Email: techsupport@tnb.com